



深圳市亚斌电子有限公司  
SHENZHEN YABIN ELECTRONICS CO.,LTD

---

## YB2004A

### LCD MODULE USER MANUAL

Address: F2, A building, YiLai Industrial Park, ShiYan Town ShenZhen  
City, China

Zip code: 518100

Tel: 0755-29517345 29517346

Fax: 0755-29517347

http: //www.yab-lcm.com

E-mail: yablcm@126.com

地址：深圳市宝安区石岩镇水田社区水田路 18 号亿莱工业区

邮编：518108

电话：86-0755-29517345 29517346

传真：86-0755-29517347

http: //www.yab-lcm.com

E-mail: yablcm@126.com



## 1. FUNCTIONS & FEATURES

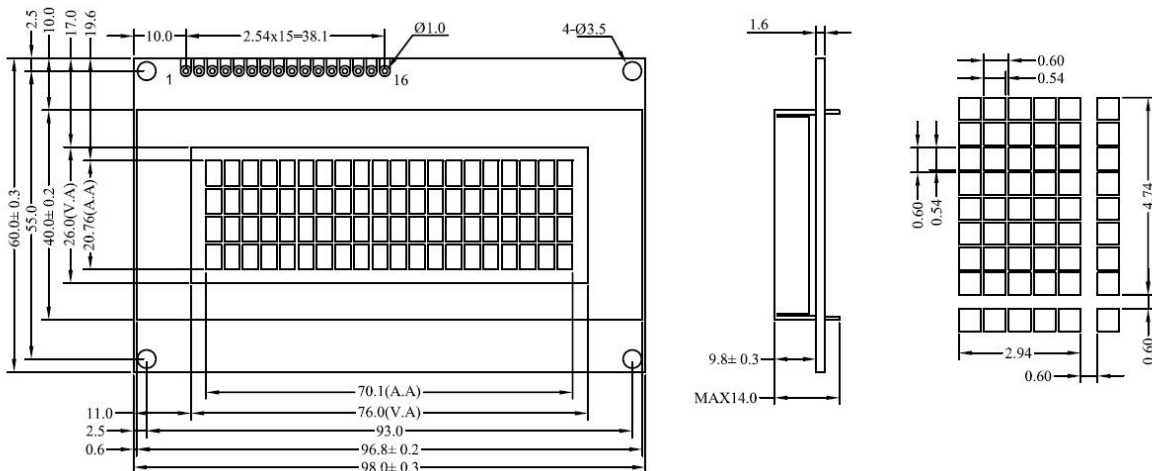
### Features

- Characters: 20×4 Lines
- LCD Mode: STN
- Controller IC: AIP31066 or Equivalent
- Driving Method: 1/16 Duty; 1/5Bias
- Viewing Angle: 6 O'clock direction
- 6800 serial 8-Bit/4-Bit MPU Interface
- Backlight: LED
- Operating Temperature Range: -20 to +70°C;
- Storage Temperature Range : -30 to +80°C;

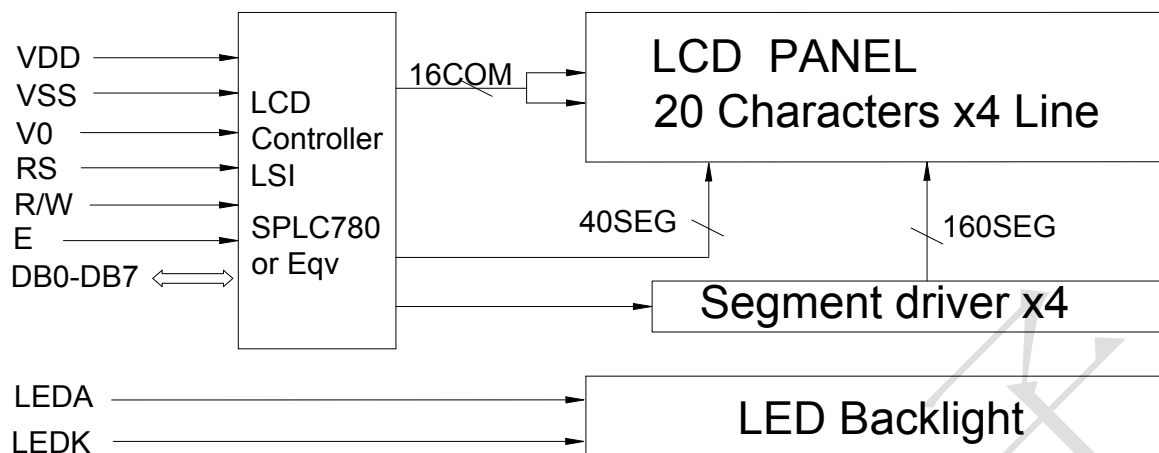
## 2. MECHANICAL SPECIFICATIONS

ITEM	SPECIFICATIONS	UNIT
Module Size	98.0L×60.0W×14.0 (max) H	mm
View Area	76.0×26.0	mm
Number of Character	20×4 Lines	—
Character Size	2.94×4.74	mm
Character Pitch	3.54×5.34	mm

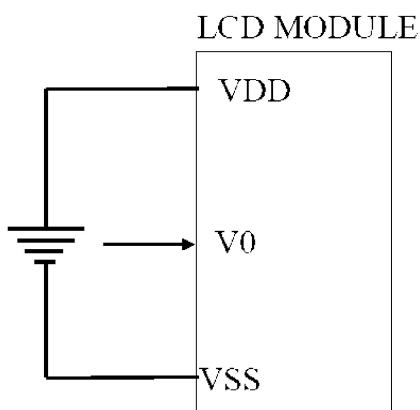
## 3. EXTERNAL DIMENSIONS



## 4. BLOCK DIAGRAM



## 5. POWER SUPPLY



$VDD - V0 = \text{Operating voltage for LCD}$

## 6. PIN DESCRIPTION

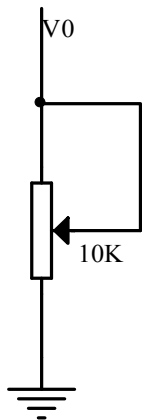
ITEM	SYMBOL	LEVEL	FUNCTION
1	VSS	0V	Power Ground
2	VDD	+5.0V	Power Supply For Logic
3	V0	-	Contrast Adjust
4	RS	H/L	H: Data L: Command
5	R/W	H/L	H: Read L: Write
6	E	H, H->L	Enable Signal
7 ~ 14	DB0 ~ DB7	H/L	Data Bus
15	LEDA	+5.0V	Power Supply For LED Backlight
16	LEDK	0V	

### 6.1. Adjusting The LCD Display Contrast

A Variable-Resistor must be connected to the LCD module for providing a reference to V0. The



recommended value of the Variable-Resistor is 10K to 20K.



## 7. MAXIMUM ABSOLUTE LIMIT (Ta=25°C)

Items	Symbol	Min	Max	Unit	Condition
Supply Voltage	Vdd	0	+5.0	V	Vss=0V
Input Voltage	Vin	0	Vdd	V	Vss=0V
Operating Temperature	Top	-20	+70	°C	No Condensation
Storage Temperature	Tst	-30	+80	°C	No Condensation

Note: Voltage greater than above may damage the module

All voltages are specified relative to Vss=0V

## 8. ELECTRICAL CHARACTERISTICS

### 8.1 DC Characteristics (VDD=+5V, VSS=0V, Ta=-0~+50°C)

Items	Symbol	Min	TYP	Max	Unit	Condition
Operating Voltage	Vdd	4.7V	5.0	5.3	V	Vdd
Supply Current	Idd	—	1.5	3.5	mA	except LED backlight
Input High Voltage	Vin	0.8×Vdd	—	Vdd	V	RS,RW,E,DB0-DB7
Input Low Voltage	Vil	Vss	—	0.5	V	
Output High Voltage	Voh	0.7×Vdd	—	Vdd	V	Ioh=-0.1mA,DB0-DB7
Output Low Voltage	Vol	Vss	—	0.5	V	Iol=0.1mA,DB0-DB7
LCD Driving Voltage	Vlcd	4.6	4.8	5.0	V	Vdd-V0

### BACKLIGHT CHARACTERISTICS

Item	Symbol	Min.	Typ.	Max.	Unit	Condition
Forward voltage	Vf	2.8	3.0	3.2	V	IF=45mA Ta=25°C
Luminance	Lv	280	350	420	cd/m <sup>2</sup>	
Number of LED	-	-	3	-	Piece	-
Connection mode	P	-	Parallel	-	-	-

### 8.2 AC Characteristics (VDD=+5V, VSS=0V, Ta=-20~75°C)

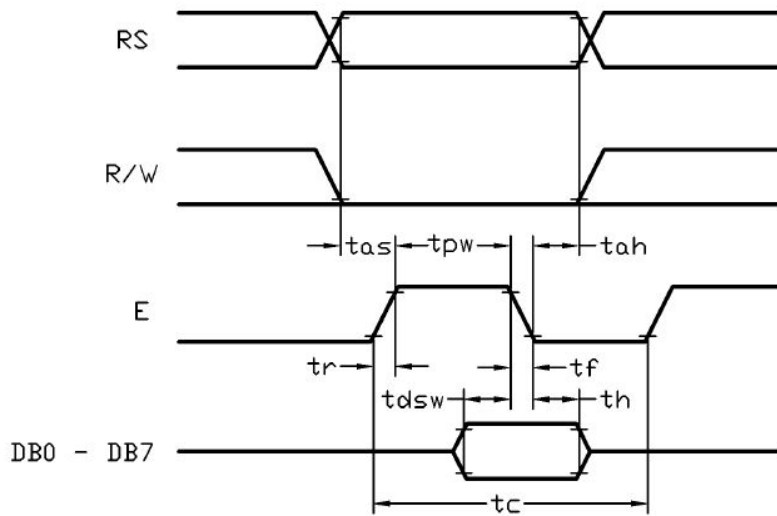
Items	Symbol	Min	TYP	Max	Unit
E cycle time	tc	1500	—	—	nS
E high level width	tpw	175	—	—	nS



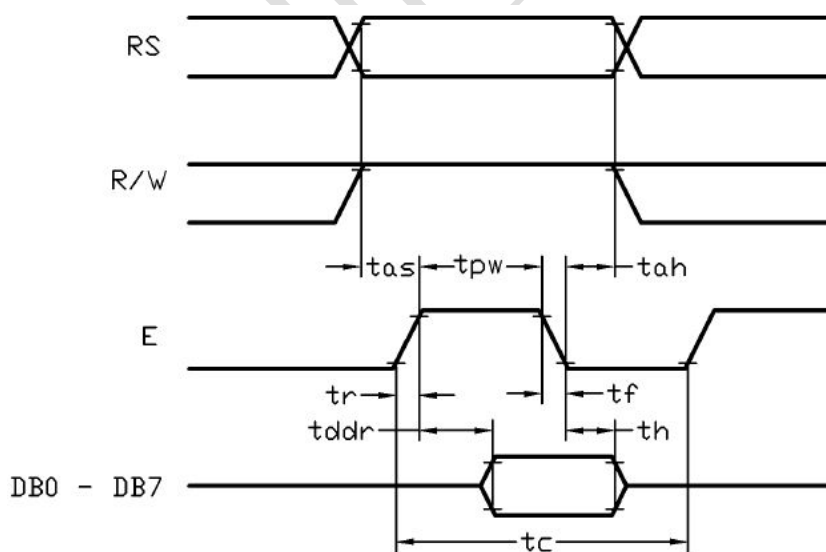
深圳市亚斌电子有限公司  
SHENZHEN YABIN ELECTRONICS CO.,LTD

E rise time	tr	—	—	20	nS
E fall time	tf	—	—	20	nS
Address set-up time	tas	5	—	—	nS
Address hold time	tah	13	—	—	nS
Data set-up time	tdsw	50	—	—	nS
Data delay time	tddr	—	—	125	nS
Data hold time	th	13	—	—	nS

**MPU write timing**



**MPU read timing**





## 9. FUNCTION SPECIFICATIONS

### 9.1. Basic Setting

To drive the LCD module correctly and provide normally display, please use the following setting:

- N=1, 2-line display
- F=0, 5×8 dots font
- D=1, display on

Note:

- These setting/commands should issue to the LCD module while start up.
- See the Display Commands section for details.

### 9.2. Resetting The LCD Module

When turning on the VDD and VSS power supply, LCD module will execute the reset routine automatically. It takes about 50ms. After the reset routine, the LCD module status will be as follow:

- N=1, 2-line display
- Display clear
- DL=1, 8-bit interface
- F=0, 5×8 dot character font
- D=0, Display off
- C=0, Cursor off
- B=0, Blinking off
- I/D=1, Increment by 1
- S=0, No shift

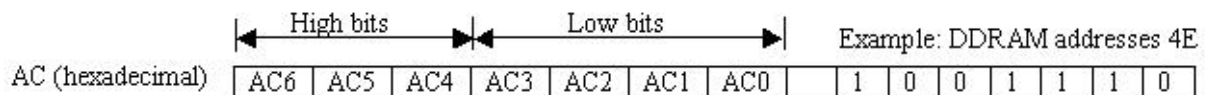
NOTE:

- Reset routine could not generate the Basic Setting

### 9.3. Display Address

#### 9.3.1. Display Data RAM (DDRAM)

This DDRAM is used to store the display data represented in 8-bit character codes. Below figure is the relationships between DDRAM addresses and positions on the liquid crystal display.



20 Chars X 4 Lines Display															
CharNo	1	2	3	4	5	6	.....	13	14	15	16	17	18	19	20
1st Line	00	01	02	03	04	05	.....	0C	0D	0E	0F	10	11	12	13
2nd Line	40	41	42	43	44	45	.....	4C	4D	4E	4F	50	51	52	53
3rd Line	14	15	16	17	18	19	.....	20	21	22	23	24	25	26	27



**深圳市亚斌电子有限公司**  
SHENZHEN YABIN ELECTRONICS CO.,LTD

4th Line	54	55	56	57	58	59	.....	60	61	62	63	64	65	66	67
----------	----	----	----	----	----	----	-------	----	----	----	----	----	----	----	----

**9.3.2. Character Generator RAM(CGRAM)**

Character Generator RAM is for storing the User-defined Characters(5 × 8 dots font). Totally 8 User-defined Characters(character code = 00h-07h) could be created.

The User-defined Character Codes are 00h and 07h. They could be called into DDRAM as normal character.

User-defined Character Code	CGRAM Address	CGRAM Data (Font Pattern)	
		D7 ~ D5	D4 ~ D0
00h (08h)	00h	Not Use	5 x 8 dots font pattern
	01h		
01h (09h)	06h	Not Use	5 x 8 dots font pattern
	07h		
02h (0Ah)	08h	Not Use	5 x 8 dots font pattern
	09h		
03h (0Bh)	0Eh	Not Use	5 x 8 dots font pattern
	0Fh		
04h (0Ch)	10h	Not Use	5 x 8 dots font pattern
	11h		
05h (0Dh)	16h	Not Use	5 x 8 dots font pattern
	17h		
06h (0Eh)	18h	Not Use	5 x 8 dots font pattern
	19h		
07h (0Fh)	1Eh	Not Use	5 x 8 dots font pattern
	1Fh		
	20h	Not Use	5 x 8 dots font pattern
	21h		
	26h	Not Use	5 x 8 dots font pattern
	27h		
	28h	Not Use	5 x 8 dots font pattern
	29h		
	2Eh	Not Use	5 x 8 dots font pattern
	2Fh		
	30h	Not Use	5 x 8 dots font pattern
	31h		
	36h	Not Use	5 x 8 dots font pattern
	37h		
	38h	Not Use	5 x 8 dots font pattern
	39h		
	3Eh	Not Use	5 x 8 dots font pattern
	3Fh		

**CGRAM Address Map**

**9.3.3. Character code ROM**

Please refer to SPLC780C datasheet.



## 9.4. Display Commands

Instruction	Instruction Code										Description	Execution time (fosc=270KHz)
	RS	RW	DB7	DB6	DB5	DB4	DB3	DB2	DB1	DB0		
Clear Display	0	0	0	0	0	0	0	0	0	1	Write "20H" to DDRAM and set DDRAM address to "00H" from AC	1.52ms
Return Home	0	0	0	0	0	0	0	0	1	-	Set DDRAM address to "00H" from AC and return cursor to its original position if shifted. The contents of DDRAM are not changed.	1.52ms
Entry Mode Set	0	0	0	0	0	0	0	1	I/D	S	Assign cursor moving direction and enable the shift of entire display	38μs
Display ON/OFF Control	0	0	0	0	0	0	1	D	C	B	Set display(D), cursor(C), and blinking of cursor(B) on/off control bit.	38μs
Cursor or Display Shift	0	0	0	0	0	1	S/C	R/L	-	-	Set cursor moving and display shift control bit, and the direction, without changing of DDRAM data.	38μs
Function Set	0	0	0	0	1	DL	N	F	-	-	Set interface data length (DL: 8-bit/4-bit), numbers of display line (N: 2-line/1-line) and, display font type (F:5x10 dots/5x8 dots)	38μs
Set CGRAM Address	0	0	0	1	AC5	AC4	AC3	AC2	AC1	AC0	Set CGRAM address in address counter.	38μs
Set DDRAM Address	0	0	1	AC6	AC5	AC4	AC3	AC2	AC1	AC0	Set DDRAM address in counter	38μs
Read Busy Flag and Address Counter	0	1	BF	AC6	AC5	AC4	AC3	AC2	AC1	AC0	Whether during internal operation or not can be known by reading BF. The contents of address counter can also be read.	
Write Data to RAM	1	0	D7	D6	D5	D4	D3	D2	D1	D0	Write data into internal RAM (DDRAM/CGRAM).	38μs
Read Data from RAM	1	1	D7	D6	D5	D4	D3	D2	D1	D0	Read data from internal RAM (DDRAM/CGRAM).	38μs

NOTE:

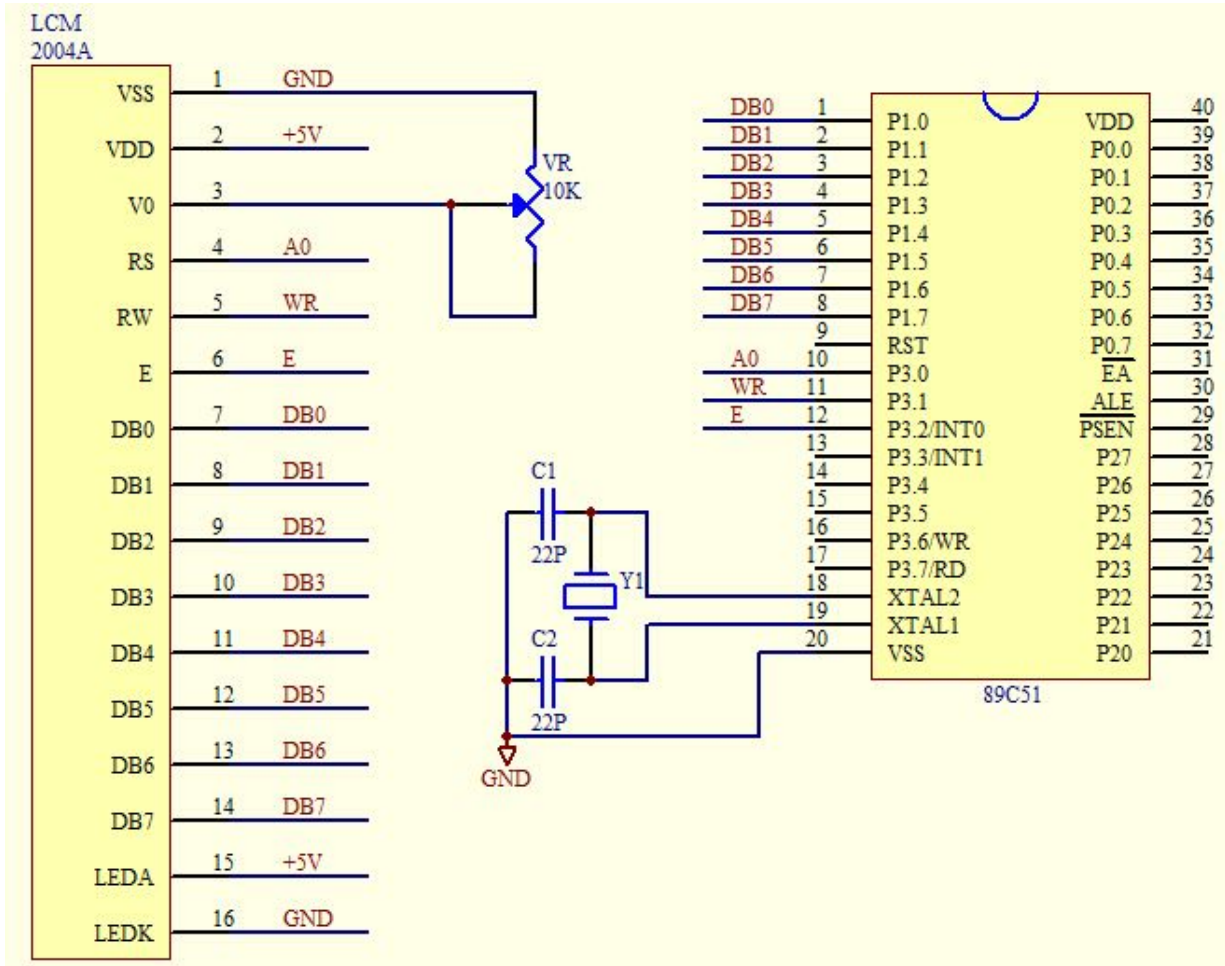
- Do not use any other commands not listed, or the system malfunction may result.





— For the details of rtc display commands, please refer to SPLC780C datasheet.

## 9.5. Application Circuits



## 10. DESIGN AND HANDING PRECAUTION

- 10.1. The LCD panel is made by glass. Any mechanical shock (eg. Dropping from high place) will damage the LCD module. Do not add excessive force on the surface of the display, which may cause the Display color change abnormally.
- 10.2. The polarizer on the LCD is easily get scratched. If possible, do not remove the LCD protective film until the last step of installation.
- 10.3. Never attempt to disassemble or rework the LCD module.
- 10.4. Only Clean the LCD with Isopropyl Alcohol or Ethyl Alcohol. Other solvents (eg. water) may damage the LCD.
- 10.5. When mounting the LCD module, make sure that it is free from twisting, warping and distortion.
- 10.6. Ensure to provide enough space (with cushion) between case and LCD panel to prevent external force adding on it, or it may cause damage to the LCD or degrade the



深圳市亚斌电子有限公司  
SHENZHEN YABIN ELECTRONICS CO.,LTD

---

display result

- 10.7. Only hold the LCD module by its side. Never hold LCD module by add force on the heat seal or TAB.
- 10.8. Never add force to component of the LCD module. It may cause invisible damage or degrade of the reliability.
- 10.9. LCD module could be easily damaged by static electricity. Be careful to maintain an optimum anti-static work environment to protect the LCD module.
- 10.10. When peeling of the protective film form LCD, static charge may cause abnormal display pattern. It is normal and will resume to normal in a short while.
- 10.11. Take care and prevent get hurt by the LCD panel edge.
- 10.12. Never operate the LCD module exceed the absolute maximum ratings.
- 10.13. Keep the signal line as short as possible to prevent noisy signal applying to LCD module.
- 10.14. Never apply signal to the LCD module without power supply.
- 10.15. IC chip (eg. TAB or COG) is sensitive to the light. Strong lighting environment could possibly cause malfunction. Light sealing structure casing is recommend.
- 10.16. LCD module reliability may be reduced by temperature shock.
- 10.17. When storing the LCD module, avoid exposure to the direct sunlight, high humidity, high temperature or low temperature. They may damage or degrade the LCD module