



深圳市亚斌电子有限公司

SHENZHEN YABIN ELECTRONICS CO., LTD

YB1602L

LCD MODULE USER MANUAL

Adress:F2,A building,YiLai Industrial Park,ShiYan Town ShenZhen
City,China

Zip code: 518100

Tel: 86-0755-29517345 29517346

Fax: 86-0755-29517347

Http: //www.yab-lcm.com

E-mail: yablcm@126.com

地址：深圳市宝安区石岩镇水田社区水田路 18 号亿莱工业区

邮编：518108

电 话:86-0755-29517345 29517346

传 真:86-0755-29517347

http: //www.yab-lcm.com

E-mail: yablcm@126.com



1. FUNCTIONS & FEATURES

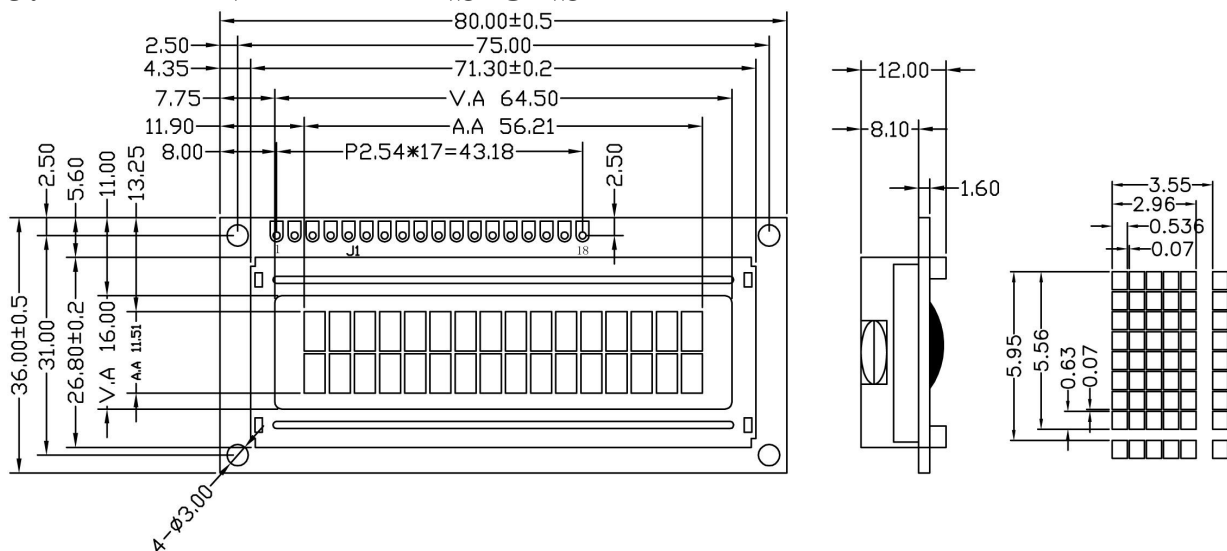
Features

- Characters: 16×2 Lines
- LCD Mode: STN, Yellow –Green/Blue/Grayish/Orange;
- Controller IC: AIP31066 or Equivalent
- Driving Method: 1/16 Duty; 1/5Bias
- Viewing Angle: 6 O'clock direction
- 6800 serial 8-Bit/4-Bit MPU Interface
- Backlight: RGB BACKLIGHT LED
- Operating Temperature Range: -20 to 70°C;
- Storage Temperature Range : -30 to 80°C;

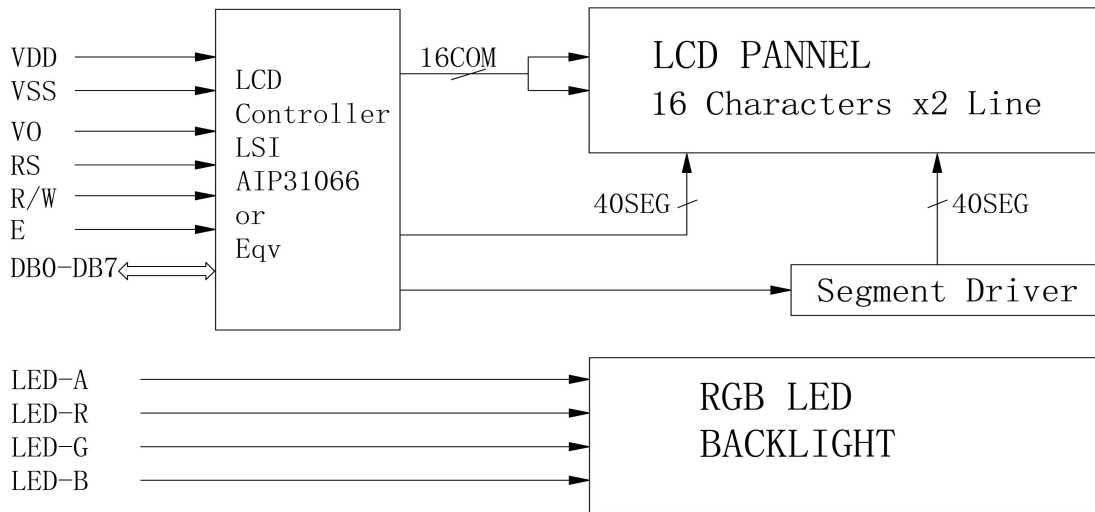
2. MECHANICAL SPECIFICATIONS

ITEM	SPECIFICATIONS	UNIT
Module Size	80.0L×36.0W×12.0H	mm
View Area	64.5×16.0	mm
Number of Character	16×2 Lines	—
Character Size	2.96×5.56	mm
Character Pitch	3.55×5.95	mm

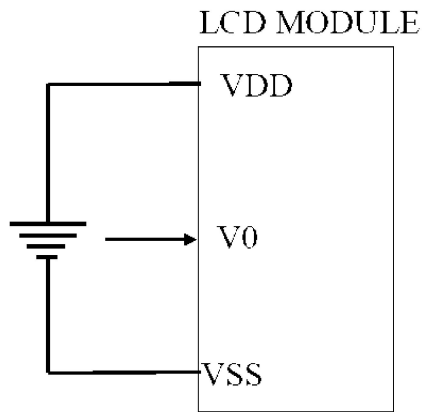
3. EXTERNAL DIMENSIONS



4. BLOCK DIAGRAM



5. POWER SUPPLY



VDD-V0=Operating voltage for LCD

6. PIN DESCRIPTION

Default Mode:

ITEM	SYMBOL	LEVEL	FUNCTION
1	VSS	0V	Power Ground
2	VDD	+3.3V/5.0V	Power Supply For Logic
3	V0	-	Contrast Adjust
4	RS	H/L	H: Data L: Command
5	R/W	H/L	H: Read L: Write
6	E	H, H->L	Enable Signal
7~14	DB0~DB7	H/L	Data Bus
15	LED-A	+3.3V/5.0V	LED Backlight Anode
16	LED-R(RED)	+3.3V/5.0V	LED Backlight Cathode
17	LED-G(GREEN)		
18	LED-B(BLUE)		

Note: 1.PIN16=PIN17=PIN18=VDD : Q1=Q2=Q3=MMBT2222A,

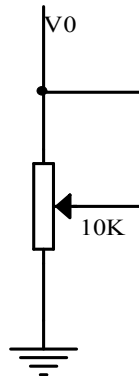


ITEM	SYMBOL	LEVEL	FUNCTION
1	VSS	0V	Power Ground
2	VDD	+3.3V/5.0V	Power Supply For Logic
3	V0	-	Contrast Adjust
4	RS	H/L	H: Data L: Command
5	R/W	H/L	H: Read L: Write
6	E	H, H->L	Enable Signal
7~14	DB0~DB7	H/L	Data Bus
15	LED-A	+3.3V/5.0V	LED Backlight Anode
16	LED-R(RED)	0V	LED Backlight Cathode
17	LED-G(GREEN)		
18	LED-B(BLUE)		

NOTE: 2. PIN16=PIN17=PIN18=VSS: Q1 Q2 Q3 NO Use, R15 R13 R11 NO Use, R12 R14 R16 Rotate up 90° Use.

6.1. Adjusting The LCD Display Contrast

A Variable-Resistor must be connected to the LCD module for providing a reference to V0. The recommended value of the Variable-Resistor is 10K to 20K.



7. MAXIMUM ABSOLUTE LIMIT (Ta=25°C)

Items	Symbol	Min	Max	Unit	Condition
Supply Voltage	Vdd	0	5.5	V	Vss=0V
Input Voltage	Vin	0	Vdd	V	Vss=0V
Operating Temperature	Top	-20	70	°C	No Condensation
Storage Temperature	Tst	-30	80	°C	No Condensation

Note: Voltage greater than above may damage the module

All voltages are specified relative to Vss=0V

8. ELECTRICAL CHARACTERISTICS

8.1 DC Characteristics (VDD=+5.0V, VSS=0V, Ta=-0~+50°C)

Items	Symbol	Min	TYP	Max	Unit	Condition
Operating Voltage	Vdd	4.5V	5.0	5.5	V	Vdd

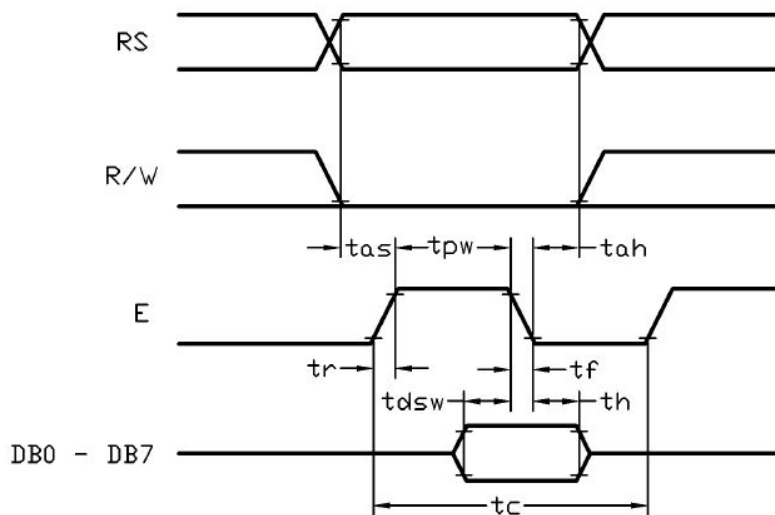


Supply Current	I _{dd}	—	1.5	2.5	mA	except LED backlight
Input High Voltage	V _{in}	0.8×V _{dd}	—	V _{dd}	V	RS,RW,E,DB0-DB7
Input Low Voltage	V _{il}	V _{ss}	—	0.5	V	
Output High Voltage	V _{oh}	0.7×V _{dd}	—	V _{dd}	V	I _{oh} =-0.1mA,DB0-DB7
Output Low Voltage	V _{ol}	V _{ss}	—	0.5	V	I _{ol} =0.1mA,DB0-DB7
LCD Driving Voltage	V _{lcd}	4.6	4.8	5.0	V	V _{dd} -V ₀

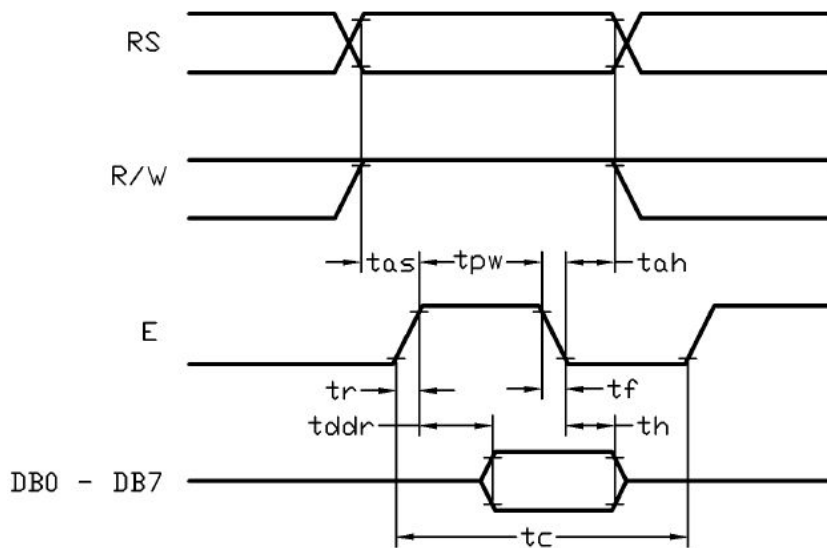
8.2AC Characteristics (VDD=+5.0V, VSS=0V, Ta=-20~75°C)

Items	Symbol	Min	TYP	Max	Unit
E cycle time	t _c	1500	—	—	nS
E high level width	t _{pw}	175	—	—	nS
E rise time	t _r	—	—	20	nS
E fall time	t _f	—	—	20	nS
Address set-up time	t _{as}	5	—	—	nS
Address hold time	t _{ah}	13	—	—	nS
Data set-up time	t _{dsw}	50	—	—	nS
Data delay time	t _{ddr}	—	—	125	nS
Data hold time	t _h	13	—	—	nS

MPU write timing



MPU read timing



9. FUNCTION SPECIFICATIONS

9.1. Basic Setting

To drive the LCD module correctly and provide normal display, please use the following setting:

- N=1, 2-line display
- F=0, 5×8 dots font
- D=1, display on

Note:

- These setting/commands should issue to the LCD module while start up.
- See the Display Commands section for details.

9.2. Resetting The LCD Module

When turning on the VDD and VSS power supply, LCD module will execute the reset routine automatically. It takes about 50ms. After the reset routine, the LCD module status will be as follow:

- N=1, 2-line display
- Display clear
- DL=1, 8-bit interface
- F=0, 5×8 dot character font
- D=0, Display off
- C=0, Cursor off
- B=0, Blinking off
- I/D=1, Increment by 1
- S=0, No shift



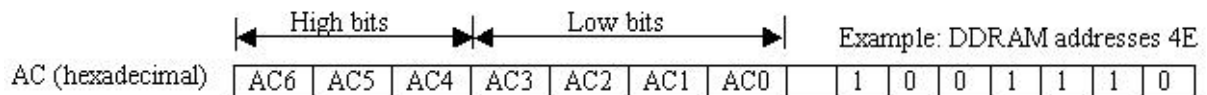
NOTE:

- Reset routine could not generate the Basic Setting

9.3. Display Memory Map

9.3.1. Display Data RAM (DDRAM)

This DDRAM is used to store the display data represented in 8-bit character codes. Below figure is the relationships between DDRAM addresses and positions on the liquid crystal display.



16 Chars X 2 Lines Display																
CharNo	1	2	3	4	5	6	7	8	9	10	11	12	13	14	15	16
1st Line	00	01	02	03	04	05	06	07	08	09	0A	0B	0C	0D	0E	0F
2nd Line	40	41	42	43	44	45	46	47	48	49	4A	4B	4C	4D	4E	4F

9.3.2. Character Generator RAM(CGRAM)

Character Generator RAM is for storing the User-defined Characters(5×8 dots font). Totally 8 User-defined Characters(character code = 00h-07h) could be created.

The User-defined Character Codes are 00h and 07h. They could be called into DDRAM as normal character.



User-defined Character Code	CGRAM Address	CGRAM Data (Font Pattern)	
		D7 ~ D5	D4 ~ D0
00h (08h)	00h 01h ⋮ 06h 07h	Not Use	5 x 8 dots font pattern
01h (09h)	08h 09h ⋮ 0Eh 0Fh	Not Use	5 x 8 dots font pattern
02h (0Ah)	10h 11h ⋮ 16h 17h	Not Use	5 x 8 dots font pattern
03h (0Bh)	18h 19h ⋮ 1Eh 1Fh	Not Use	5 x 8 dots font pattern
04h (0Ch)	20h 21h ⋮ 26h 27h	Not Use	5 x 8 dots font pattern
05h (0Dh)	28h 29h ⋮ 2Eh 2Fh	Not Use	5 x 8 dots font pattern
06h (0Eh)	30h 31h ⋮ 36h 37h	Not Use	5 x 8 dots font pattern
07h (0Fh)	38h 39h ⋮ 3Eh 3Fh	Not Use	5 x 8 dots font pattern

CGRAM Address Map

9.3.3. Character code ROM

Please refer to SPLC780D datasheet.

9.4. Display Commands



深圳市亚斌电子有限公司

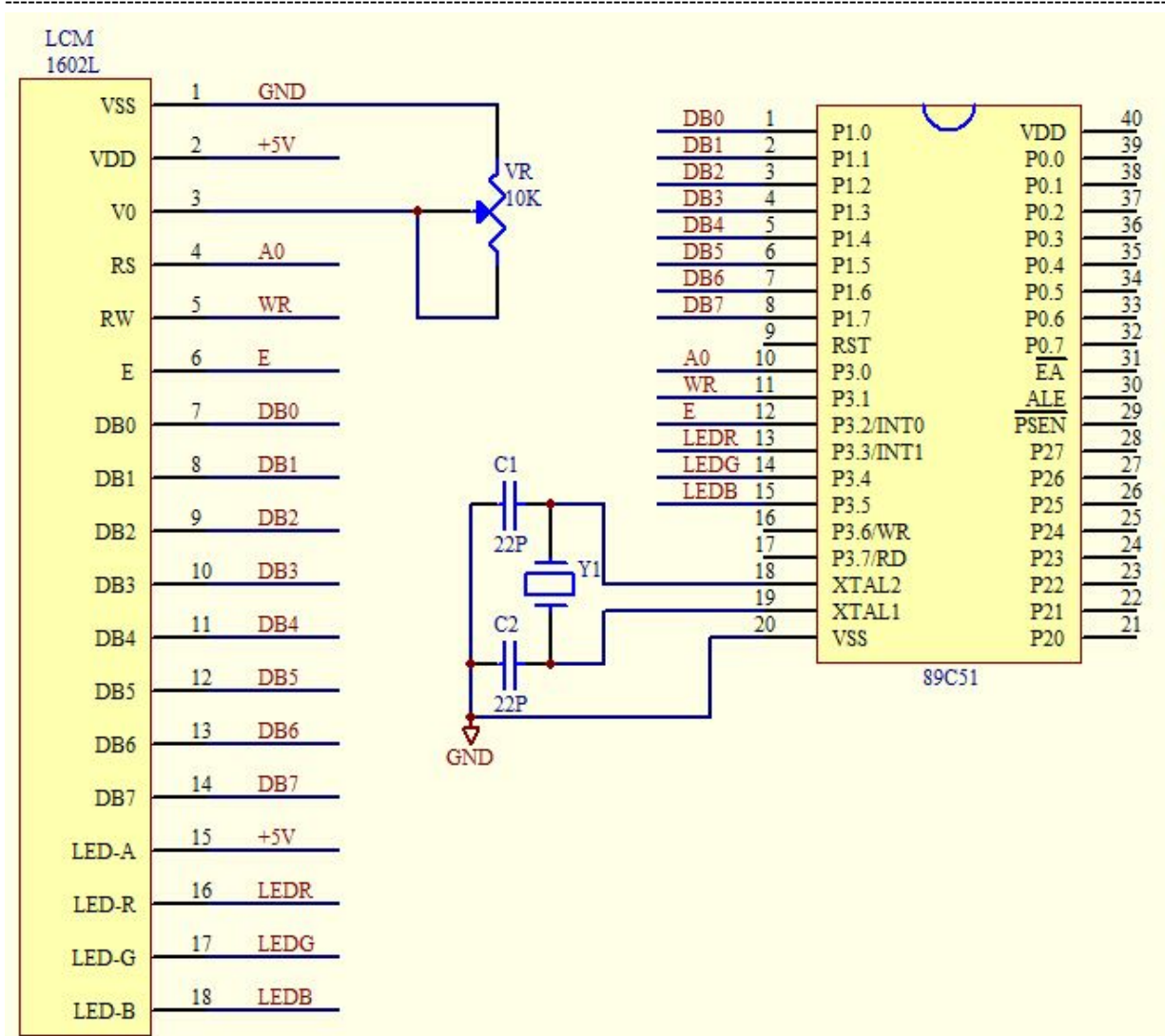
SHENZHEN YABIN ELECTRONICS CO., LTD

Instruction	Instruction Code										Description	Execution time (fosc=270KHz)
	RS	RW	DB7	DB6	DB5	DB4	DB3	DB2	DB1	DB0		
Clear Display	0	0	0	0	0	0	0	0	0	1	Write "20H" to DDRAM and set DDRAM address to "00H" from AC	1.52ms
Return Home	0	0	0	0	0	0	0	0	1	-	Set DDRAM address to "00H" from AC and return cursor to its original position if shifted. The contents of DDRAM are not changed.	1.52ms
Entry Mode Set	0	0	0	0	0	0	0	1	I/D	S	Assign cursor moving direction and enable the shift of entire display	38μs
Display ON/OFF Control	0	0	0	0	0	0	1	D	C	B	Set display(D), cursor(C), and blinking of cursor(B) on/off control bit.	38μs
Cursor or Display Shift	0	0	0	0	0	1	S/C	R/L	-	-	Set cursor moving and display shift control bit, and the direction, without changing of DDRAM data.	38μs
Function Set	0	0	0	0	1	DL	N	F	-	-	Set interface data length (DL: 8-bit/4-bit), numbers of display line (N: 2-line/1-line) and, display font type (F:5x10 dots/5x8 dots)	38μs
Set CGRAM Address	0	0	0	1	AC5	AC4	AC3	AC2	AC1	AC0	Set CGRAM address in address counter.	38μs
Set DDRAM Address	0	0	1	AC6	AC5	AC4	AC3	AC2	AC1	AC0	Set DDRAM address in counter	38μs
Read Busy Flag and Address Counter	0	1	BF	AC6	AC5	AC4	AC3	AC2	AC1	AC0	Whether during internal operation or not can be known by reading BF. The contents of address counter can also be read.	
Write Data to RAM	1	0	D7	D6	D5	D4	D3	D2	D1	D0	Write data into internal RAM (DDRAM/CGRAM).	38μs
Read Data from RAM	1	1	D7	D6	D5	D4	D3	D2	D1	D0	Read data from internal RAM (DDRAM/CGRAM).	38μs

NOTE:

- Do not use any other commands not listed, or the system malfunction may result.
- For the details of rte display commands, please refer to SPLC780D datasheet.

9.5. Application Circuits



10. DESIGN AND HANDING PRECAUTION

- 10.1. The LCD panel is made by glass. Any mechanical shock (eg. Dropping from high place) will damage the LCD module. Do not add excessive force on the surface of the display, which may cause the Display color change abnormally.
- 10.2. The polarizer on the LCD is easily get scratched. If possible, do not remove the LCD protective film until the last step of installation.
- 10.3. Never attempt to disassemble or rework the LCD module.
- 10.4. Only Clean the LCD with Isopropyl Alcohol or Ethyl Alcohol. Other solvents (eg. water) may damage the LCD.
- 10.5. When mounting the LCD module, make sure that it is free from twisting, warping and distortion.
- 10.6. Ensure to provide enough space (with cushion) between case and LCD panel to prevent external force adding on it, or it may cause damage to the LCD or degrade the display result



- 10.7. Only hold the LCD module by its side. Never hold LCD module by add force on the heat seal or TAB.
- 10.8. Never add force to component of the LCD module. It may cause invisible damage or degrade of the reliability.
- 10.9. LCD module could be easily damaged by static electricity. Be careful to maintain an optimum anti-static work environment to protect the LCD module.
- 10.10. When peeling of the protective film form LCD, static charge may cause abnormal display pattern. It is normal and will resume to normal in a short while.
- 10.11. Take care and prevent get hurt by the LCD panel edge.
- 10.12. Never operate the LCD module exceed the absolute maximum ratings.
- 10.13. Keep the signal line as short as possible to prevent noisy signal applying to LCD module.
- 10.14. Never apply signal to the LCD module without power supply.
- 10.15. IC chip (eg. TAB or COG) is sensitive to the light. Strong lighting environment could possibly cause malfunction. Light sealing structure casing is recommend.
- 10.16. LCD module reliability may be reduced by temperature shock.
- 10.17. When storing the LCD module, avoid exposure to the direct sunlight, high humidity, high temperature or low temperature. They may damage or degrade the LCD module